

1 Function Ex d/e Glands

E-OCTANS

Technical Details	
Material	Body, Cap: Brass, Brass Nickel Plated, Stainless Steel, Aluminium Seal: CR (Chloroprene Rubber), Silicone
Protection Class	IP 68 - 5 Bar, 30 min IP 66
Operating Temperature	Seal Material
	CR (Chloroprene Rubber) Silicone
Ex d/tb	-40°C / +80°C
Ex e/tb	-40°C / +80°C
Equipment For	Gas & Dust potentially explosive atmospheres
Suitable for use in	Group II Gas Group IIC ZONE1/ZONE2 Group III Dust Group IIIC ZONE21/ZONE 22
Equipment Marking	Ex II 2GD Ex d IIC Gb / Ex e IIC Gb / Ex tb IIIC Db
Marking Example	BMD EBU.. Ex CE 0722 II 2GD Ex d IIC Gb / Ex e IIC Gb / Ex tb IIIC Db Ta-40°C +80°C IP66/68 IECEx CES 13.0006X / CESI 13 ATEX 018X
Thread Type	<ul style="list-style-type: none"> • Metric (M) ISO Pitch 1,5 • NPT (N) ANSI ASME B1.20.1 • Other thread types also available upon request.
Cable Type	Non Armoured
Accessories	<ul style="list-style-type: none"> • Lock nuts • Gaskets • Serrated Washers • Shrouds • Earth tags • Dome plugs • Flat cable seals



Approvals		
	Certificate Number	Standards
	IMQ 13 ATEX 018X	EN 60079-0:2012 EN 60079-7:2007 EN 60079-31:2014 EN 60079-1:2007
	IECEX IMQ 13.0006X	IEC 60079-0:2011 Edition:6 IEC 60079-7:2006 Edition:4 IEC 60079-31:2013 Edition:2 IEC 60079-1:2014 Edition:7
	20150501-E474828	UL 2225, CAN/CSA-C22.2 No. 60079-0:11 CAN/CSA C22.2 No. 60079-7:12 CAN/CSA-C22.2 No. 60079-31:12
	№ TC RU C-TR.Г505.B.00840	ГОСТ IEC 60079-1:2011 ГОСТ P МЭК 60079-0:2011 ГОСТ P МЭК 60079-7:2012 ГОСТ P МЭК 60079-31:2010 ГОСТ P МЭК 60079-14:2008
	DNV 12.0052 X	ABNT NBR IEC 60079-0:2013, ABNT NBR IEC 60079-1:2009, ABNT NBR IEC 60079-7:2008 e ABNT NBR IEC 60079-31:2011
	E-14044	IEC/EN60079-0, IEC/EN60079-7, IEC/EN60079-31 IEC/EN60079-1, IEC/EN 62444

For more information see our webpage.



Order Encoding													
Part Number	Size	Thread	Material	Seal	Dome Plug	Flat Seal	Gasket	Serrated Washer	Locknut	Shroud	Earth Tag	For Ex e	
EBU (*BUE)	5	N	B	C	-	D	F	GC	SW	L	S	E	(TL9)

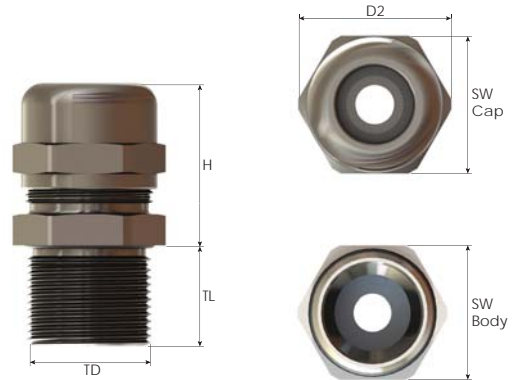
* BUE: Part Number is valid for Customs Union certificate.

Clamping Range (D)
Sealing Combinations



E-OCTANS

1 Function Ex d/e Glands



Hazardous Application

Thread Type METRIC acc. to ISO 965-3													
Size	Clamping Range Ø min-max D mm	Seal Combinations			Thread Length		Thread Ø TD mm	Spanner Width		Outer min. Ø D2 mm	max. Height H mm	Part Number	
		S1 Ø mm	S2 Ø mm	S3 Ø mm	** Ex e min. TL mm	Ex d min. mm		SW Cap mm	SW Body mm				
M8x1,25	2,0 - 4,0	2,0 - 4,0	-	-	5,0	5,0	8,0	11	11	12,0	15,5	*EBU0XSM	
M12x1,5	4,0 - 8,0	-	6,0 - 8,0	4,0 - 6,0	9,0	16,0	12,0	22	22	24,0	30,5	*EBU0SM	
	3,0 - 8,0	6,0 - 8,0	3,0 - 6,0	-				20	20	22,0	27,0	*EBU0M	
M16x1,5	3,0 - 9,0	6,0 - 9,0	3,0 - 6,0	-	9,0	16,0	16,0	20	20	22,0	27,0	EBU01SM	
	4,0 - 12,0	9,0 - 12,0	6,0 - 9,0	4,0 - 6,0				22	22	24,0	31,0	EBU01M	
M20x1,5	3,0 - 9,0	6,0 - 9,0	3,0 - 6,0	-	9,0	16,0	20,0	20	22	24,0	27,0	EBU1SM	
	4,0 - 12,0	9,0 - 12,0	6,0 - 9,0	4,0 - 6,0				22				EBU1M	
	10,0 - 16,0	14,5 - 16,0	12,0 - 14,5	10,0 - 12,0				28	28	31,0	30,0	EBU12M	
M25x1,5	4,0 - 12,0	9,0 - 12,0	6,0 - 9,0	4,0 - 6,0	9,0	16,0	25,0	22	28	31,0	30,5	EBU2SM	
	10,0 - 18,0	14,5 - 18,0	12,0 - 14,5	10,0 - 12,0				28				35	39,0
	14,0 - 20,0	-	17,0 - 20,0	14,0 - 17,0				35	35	39,0	31,5	EBU3SM	
M32x1,5	10,0 - 18,0	14,5 - 18,0	12,0 - 14,5	10,0 - 12,0	9,0	16,0	32,0	28	35	39,0	41,0	EBU3M	
	14,0 - 24,0	20,0 - 24,0	17,0 - 20,0	14,0 - 17,0				45				45	50,0
	22,0 - 28,0	27,0 - 28,0	24,0 - 27,0	22,0 - 24,0				35	45	50,0	44,0	33,0	EBU4SM
14,0 - 24,0	20,0 - 24,0	17,0 - 20,0	14,0 - 17,0	45	50	55,5	43,0	EBU45M					
M40x1,5	22,0 - 32,0	27,0 - 32,0	24,0 - 27,0	22,0 - 24,0	9,0	18,0	40,0	50	55	61,0	44,0	EBU5SM	
	26,0 - 34,0	31,0 - 34,0	28,0 - 31,0	26,0 - 28,0				45				55	61,0
	22,0 - 32,0	27,0 - 32,0	24,0 - 27,0	22,0 - 24,0				64	64	70,0	43,0	EBU56M	
M50x1,5	26,0 - 35,0	31,0 - 35,0	28,0 - 31,0	26,0 - 28,0	9,0	18,0	50,0	50	68	75,0	42,0	EBU6SM	
	35,0 - 44,0	41,0 - 44,0	38,0 - 41,0	35,0 - 38,0				64				68	75,0
	26,0 - 35,0	31,0 - 35,0	28,0 - 31,0	26,0 - 28,0				80	75	89,0	52,5	EBU67M	
	35,0 - 45,0	41,0 - 45,0	38,0 - 41,0	35,0 - 38,0				64	80	89,0	45,0	EBU7SM	
46,0 - 56,0	52,0 - 56,0	48,0 - 52,0	46,0 - 48,0	80	80	89,0	52,0	EBU7M					
M75x1,5	35,0 - 45,0	41,0 - 45,0	38,0 - 41,0	35,0 - 38,0	9,0	20,0	75,0	95	95	105,0	55,0	EBU78M	
	46,0 - 62,0	56,0 - 62,0	51,0 - 56,0	46,0 - 51,0				80				95	105,0
	60,0 - 69,0	-	65,0 - 69,0	60,0 - 65,0				95	95	105,0	55,0	EBU8M	
M90x1,5	46,0 - 62,0	56,0 - 62,0	51,0 - 56,0	46,0 - 51,0	9,0	20,0	90,0	80	95	105,0	55,0	EBU8SM	
	60,0 - 75,0	70,0 - 75,0	65,0 - 70,0	60,0 - 65,0				95				95	105,0
	75,0 - 82,0	81,0 - 82,0	78,0 - 81,0	75,0 - 78,0				105	105	117,0	55,0	EBU810M	
M100x1,5	60,0 - 75,0	70,0 - 75,0	65,0 - 70,0	60,0 - 65,0	9,0	20,0	100,0	95	105	117,0	55,0	EBU10SM	
	75,0 - 85,0	81,0 - 85,0	78,0 - 81,0	75,0 - 78,0				105				105	117,0
M110x1,5	85,0 - 95,0	91,0 - 95,0	88,0 - 91,0	85,0 - 88,0	9,0	20,0	110,0	115	115	128,0	57,0	EBU11M	
	75,0 - 85,0	81,0 - 85,0	78,0 - 81,0	75,0 - 78,0				105				115	128,0
M115x2,0	85,0 - 95,0	91,0 - 95,0	88,0 - 91,0	85,0 - 88,0	9,0	24,0	115,0	115	130	145,0	62,5	EBU115SM	
	95,0 - 105,0	101,0 - 105,0	98,0 - 101,0	95,0 - 98,0				130				130	145,0
	105,0 - 115,0	111,0 - 115,0	108,0 - 111,0	105,108,0				9,0	24,0	130,0	140	140	156,0

* Only Ex e IIC Gb / Ex tb IIIC Db

1 Function Ex d/e Glands

E-OCTANS

Technical Details	
Material	Body, Cap: Brass, Brass Nickel Plated, Stainless Steel, Aluminium Seal: CR (Chloroprene Rubber), Silicone
Protection Class	IP 68 - 5 Bar, 30 min IP 66
Operating Temperature	Seal Material
	CR (Chloroprene Rubber) Silicone
Ex d/tb	-40°C / +80°C
Ex e/tb	-40°C / +80°C
	-60°C / +80°C
	-60°C / +140°C
Equipment For	Gas & Dust potentially explosive atmospheres
Suitable for use in	Group II Gas Group IIC ZONE1/ZONE2 Group III Dust Group IIIC ZONE21/ZONE 22
Equipment Marking	Ex II 2GD Ex d IIC Gb / Ex e IIC Gb / Ex tb IIIC Db
Marking Example	BMD EBU.. Ex CE 0722 II 2GD Ex d IIC Gb / Ex e IIC Gb / Ex tb IIIC Db Ta-40°C +80°C IP66/68 IECEx CES 13.0006X / CESI 13 ATEX 018X
Thread Type	<ul style="list-style-type: none"> • Metric (M) ISO Pitch 1,5 • NPT (N) ANSI ASME B1.20.1 • Other thread types also available upon request.
Cable Type	Non Armoured
Accessories	<ul style="list-style-type: none"> • Lock nuts • Gaskets • Serrated Washers • Shrouds • Earth tags • Dome plugs • Flat cable seals



Approvals		
	Certificate Number	Standards
	IMQ 13 ATEX 018X	EN 60079-0:2012 EN 60079-7:2007 EN 60079-31:2014 EN 60079-1:2007
	IECEX IMQ 13.0006X	IEC 60079-0:2011 Edition:6 IEC 60079-7:2006 Edition:4 IEC 60079-31:2013 Edition:2 IEC 60079-1:2014 Edition:7
	20150501-E474828	UL 2225, CAN/CSA-C22.2 No. 60079-0:11 CAN/CSA C22.2 No. 60079-7:12 CAN/CSA-C22.2 No. 60079-31:12
	№ TC RU C-TR.Г505.B.00840	ГОСТ IEC 60079-1:2011 ГОСТ P МЭК 60079-0:2011 ГОСТ P МЭК 60079-7:2012 ГОСТ P МЭК 60079-31:2010 ГОСТ P МЭК 60079-14:2008
	DNV 12.0052 X	ABNT NBR IEC 60079-0:2013, ABNT NBR IEC 60079-1:2009, ABNT NBR IEC 60079-7:2008 e ABNT NBR IEC 60079-31:2011
	E-14044	IEC/EN60079-0, IEC/EN60079-7, IEC/EN60079-31 IEC/EN60079-1, IEC/EN 62444

For more information see our webpage.



Order Encoding													
Part Number	Size	Thread	Material	Seal	Dome Plug	Flat Seal	Gasket	Serrated Washer	Locknut	Shroud	Earth Tag	For Ex e	
EBU (*BUE)	5	N	B	C	-	D	F	GC	SW	L	S	E	(TL9)

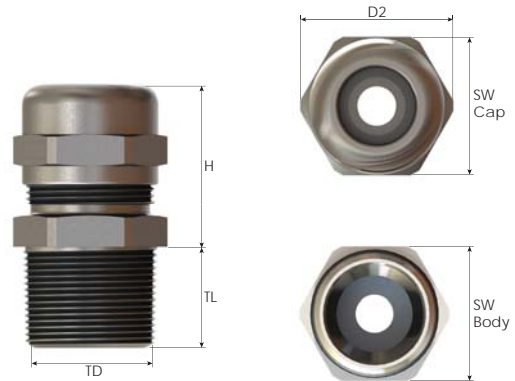
* BUE: Part Number is valid for Customs Union certificate.

Clamping Range (D)
Sealing Combinations



E-OCTANS

1 Function Ex d/e Glands



Hazardous Application

Thread Type NPT acc. to ANSI ASME B1.20.1											
Size	Clamping Range Ø min-max D mm	Seal Combinations			Thread Length Ex d min. TL mm	Thread Ø TD mm	Spanner Width		Outer min. Ø D2 mm	max. Height H mm	Part Number
		S1 Ø mm	S2 Ø mm	S3 Ø mm			SW Cap mm	SW Body mm			
NPT 1/4"	4,0 - 8,0	-	6,0 - 8,0	4,0 - 6,0	16,0	13,7	22	22	24,0	30,5	*EBU0SN
	3,0 - 8,0	6,0 - 8,0	3,0 - 6,0	-			20	20	22,0	27,0	*EBU0N
NPT 3/8"	3,0 - 9,0	6,0 - 9,0	3,0 - 6,0	-	16,0	17,1	20	20	22,0	27,0	EBU01SN
	4,0 - 12,0	9,0 - 12,0	6,0 - 9,0	4,0 - 6,0			22	22	24,0	30,5	EBU01N
NPT 1/2"	3,0 - 9,0	6,0 - 9,0	3,0 - 6,0	-	16,0	21,3	20	22	24,0	27,0	EBU1SN
	4,0 - 12,0	9,0 - 12,0	6,0 - 9,0	4,0 - 6,0			22		24,0	27,0	EBU1N
	10,0 - 16,0	14,5 - 16,0	12,0 - 14,5	10,0 - 12,0			28	28	31,0	30,0	EBU12N
NPT 3/4"	4,0 - 12,0	9,0 - 12,0	6,0 - 9,0	4,0 - 6,0	16,0	26,7	22	28	31,0	27,0	EBU2SN
	10,0 - 18,0	14,5 - 18,0	12,0 - 14,5	10,0 - 12,0			28		31,0	30,0	EBU2N
	14,0 - 20,0	-	17,0 - 20,0	14,0 - 17,0			35	35	39,0	33,0	EBU23N
NPT 1"	10,0 - 18,0	14,5 - 18,0	12,0 - 14,5	10,0 - 12,0	20,0	33,4	28	35	39,0	31,0	EBU3SN
	14,0 - 24,0	20,0 - 24,0	17,0 - 20,0	14,0 - 17,0			35		39,0	33,0	EBU3N
	22,0 - 26,0	-	24,0 - 26,0	22,0 - 24,0			45	45	50,0	40,0	EBU34N
NPT 1 1/4"	14,0 - 24,0	20,0 - 24,0	17,0 - 20,0	14,0 - 17,0	20,0	42,2	35	45	50,0	33,0	EBU4SN
	22,0 - 32,0	27,0 - 32,0	24,0 - 27,0	22,0 - 24,0			45		50,0	40,5	EBU4N
	26,0 - 34,0	31,0 - 34,0	28,0 - 31,0	26,0 - 28,0			50	50	55,5	43,5	EBU4SN
NPT 1 1/2"	22,0 - 32,0	27,0 - 32,0	24,0 - 27,0	22,0 - 24,0	20,0	48,3	45	55	61,0	42,5	EBU5SN
	26,0 - 35,0	31,0 - 35,0	28,0 - 31,0	26,0 - 28,0			50		61,0	43,5	EBU5N
	35,0 - 41,0	-	38,0 - 41,0	35,0 - 38,0			64	64	70,0	42,0	EBU56N
NPT 2"	26,0 - 35,0	31,0 - 35,0	28,0 - 31,0	26,0 - 28,0	20,0	60,3	50	68	75,0	41,5	EBU6SN
	35,0 - 45,0	41,0 - 45,0	38,0 - 41,0	35,0 - 38,0			64		75,0	43,5	EBU6N
	46,0 - 52,0	-	48,0 - 52,0	46,0 - 48,0			80	75	89,0	52,0	EBU67N
NPT 2 1/2"	35,0 - 45,0	41,0 - 45,0	38,0 - 41,0	35,0 - 38,0	21,0	73,0	64	80	89,0	45,5	EBU7SN
	46,0 - 62,0	56,0 - 62,0	51,0 - 56,0	46,0 - 51,0			80		89,0	52,0	EBU7N
	60,0 - 64,0	-	-	60,0 - 64,0			95	95	105,0	55,0	EBU78N
NPT 3"	46,0 - 62,0	56,0 - 62,0	51,0 - 56,0	46,0 - 51,0	21,0	88,9	80	95	105,0	52,0	EBU8SN
	60,0 - 75,0	70,0 - 75,0	65,0 - 70,0	60,0 - 65,0			95		105,0	55,0	EBU8N
	75,0 - 79,5	-	78,0 - 79,5	75,0 - 78,0			105	105	117,0	55,0	EBU810N
NPT 4"	60,0 - 75,0	70,0 - 75,0	65,0 - 70,0	60,0 - 65,0	21,0	114,3	95	115	128,0	55,0	EBU108N
	75,0 - 85,0	81,0 - 85,0	78,0 - 81,0	75,0 - 78,0			105		115	128,0	55,0
	85,0 - 95,0	91,0 - 95,0	88,0 - 91,0	85,0 - 88,0			115	128,0	128,0	56,0	EBU11N
	95,0 - 101,0	-	98,0 - 101,0	95,0 - 98,0			130	130	145,0	62,5	EBU115N
NPT 5"	95,0 - 105,0	101,0 - 105,0	98,0 - 101,0	95,0 - 98,0	27,0	141,3	130	145	162,0	62,5	EBU13N
	105,0 - 115,0	111,0 - 115,0	108,0 - 111,0	105,0 - 108,0			140		145	162,0	65,5

* Only Ex e IIC Gb / Ex tb IIIC Db